

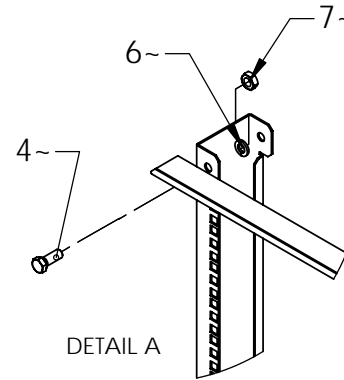
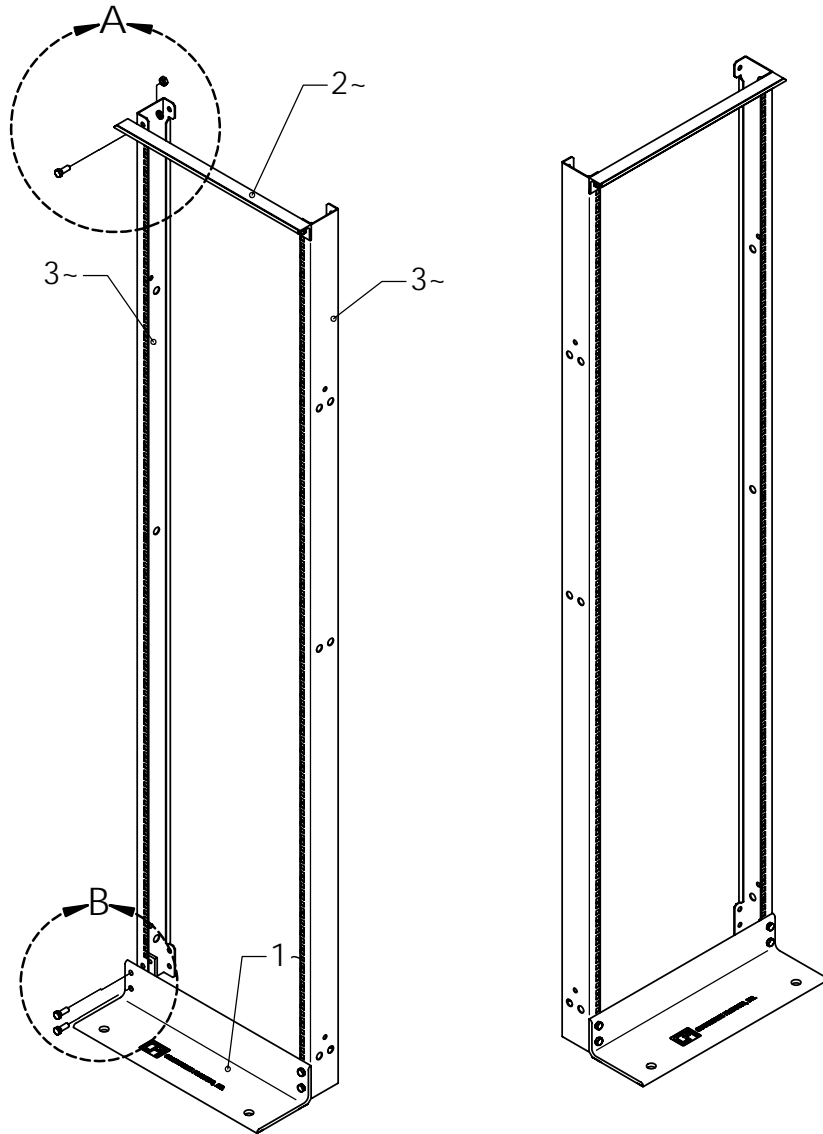
## TOOLS FOR ASSEMBLY

9/16" Open/Box End Wrench  
 9/16" Socket Wrench  
 3/8" Open/Box End Wrench  
 Carpenter's Square

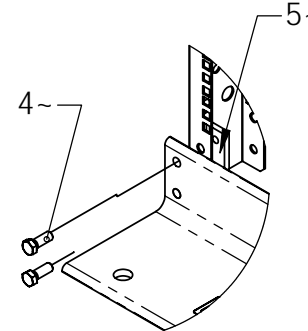
## Parts List

- 1~ 2 ea Base Angle
- 2~ 2 ea Top Angle
- 3~ 4 ea Channels ( 2 Left,2 Right)
- 4~ 24 ea 3/8-16 Hex Head Bolts
- 5~ 8 ea Nut Plates
- 6~ 8 ea 3/8-16 Lock Washer
- 7~ 8 ea 3/8-16 Nuts
- 8~ 1 ea Base Extension Pan
- 9~ 1 ea Top Extension Pan
- 10~ 2 ea Horizontal Braces
- 11~ 8 ea 10-24 Carriage Bolts\*
- 12~ 8 ea 10-24 Nuts \*

\* 2 ea extra bolts/nuts included



DETAIL A



DETAIL B

1. Lay two channels flat on floor, with flanges facing each other.
2. Lay one base angle and one top angle on channels as shown above and hand-start bolts. See Detail A & B. Do not tighten bolts.

3. Repeat steps 1&2 to assemble the other set.

**CPI** CHATSWORTH PRODUCTS, INC.

INSTALLATION INSTRUCTIONS  
 QuadraRack™  
 SERVER FRAME

THIS DRAWING CONTAINS INFORMATION PROPRIETARY TO CHATSWORTH PRODUCTS, INC. ANY REPRODUCTION DISCLOSURE OR USE OF THIS DRAWING IS EXPRESSLY FORBIDDEN EXCEPT AS AGREED TO IN WRITING BY CHATSWORTH PRODUCTS, INC.

