

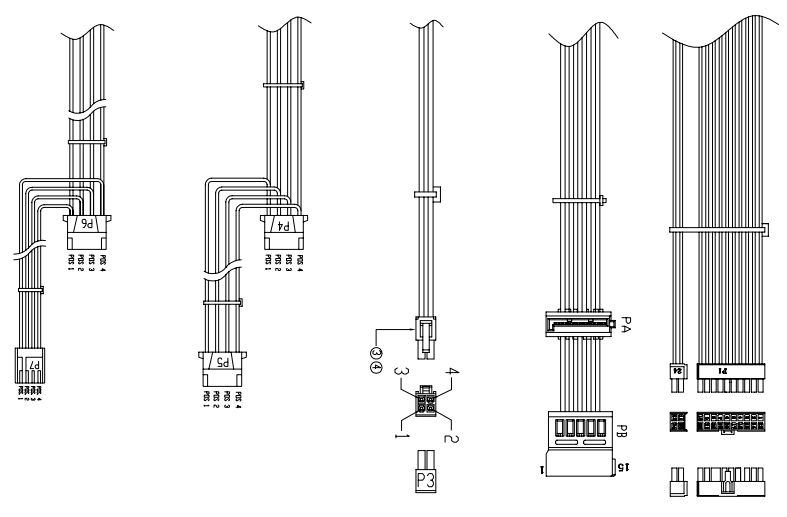
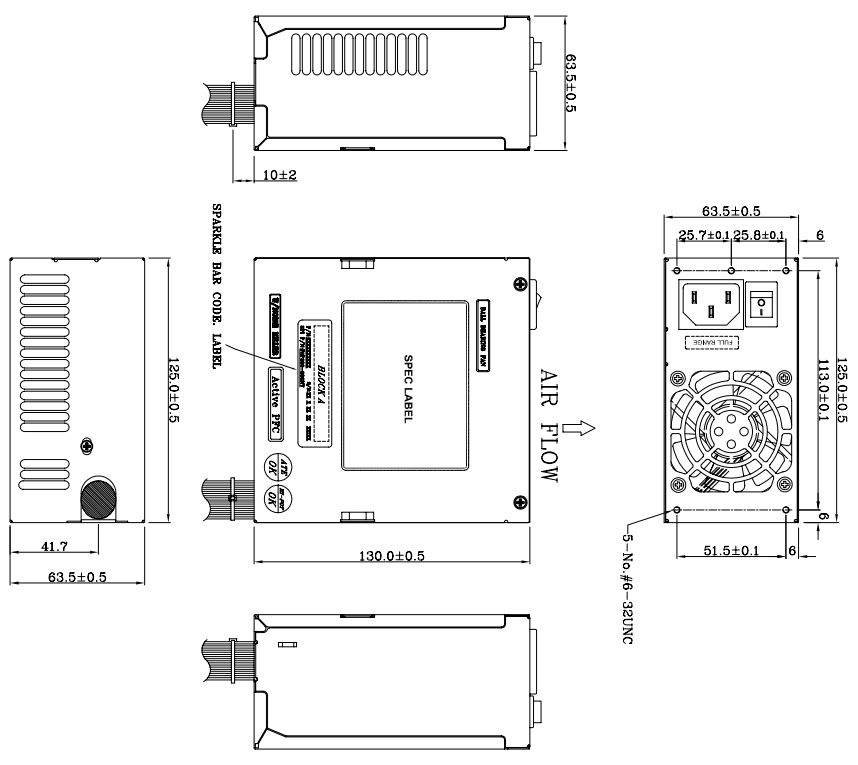
REF. ID.	PIN NO.	SIGNAL	WIRE COLOR	GAUGE	CONNECTOR TYPE	CABLE LENGTH
P1 /24	1	+3.3VDC	ORANGE	18	MOLEX H736- -20N(LT) +H736-04 N(LT) or EQUIV.	300±15mm
	2	+3.3VDC	ORANGE	18		
	3	COM	BLACK	18		
	4	+5VDC	RED	18		
	5	COM	BLACK	18		
	6	+5VDC	RED	18		
	7	COM	BLACK	18		
	8	PW-ON	GRAY	24		
	9	+5Vsb	PURPLE	20		
	10	+12V1	YELLOW	18		
	11	+12V1	YELLOW	18		
	12	+3.3VDC	ORANGE	18		
	13	+3.3VDC	ORANGE	18		
PA	14	+3.3VSense	BROWN	24	MOLEX CL1271HS0 15P or EQUIV.	300±15mm
	15	COM	BLUE	24		
	16	PS-ON	GREEN	24		
	17	COM	BLACK	18		
	18	COM	BLACK	18		
	19	COM	BLACK	18		
	20	COM	BLACK	18		
	21	+5VDC	RED	18		
	22	+5VDC	RED	18		
	23	+5VDC	RED	18		
	24	COM	BLACK	18		
	PB	1	+3.3V	ORANGE		
2		COM	BLACK	18		
3		+5V	RED	18		
4		COM	BLACK	18		
5		+12V1	YELLOW	18		
P3	1	COM	BLACK	18	MOLEX 39-01-2040 or EQUIV.	300±15mm
	2	COM	BLACK	18		
	3	+12V2	YEL/BLK	18		
	4	+12V2	YEL/BLK	18		
P4	1	+12V1	YELLOW	18	MOLEX 1-480424-0 or EQUIV.	300±15mm
	2	COM	BLACK	18		
	3	COM	BLACK	18		
	4	+5V	RED	18		
P5	1	+12V1	YELLOW	18	MOLEX 1-480424-0 or EQUIV.	170±10mm
	2	COM	BLACK	18		
	3	COM	BLACK	18		
	4	+5V	RED	18		
P7	1	+5V	RED	20	MOLEX 171822-4 or EQUIV.	170±10mm
	2	COM	BLACK	20		
	3	COM	BLACK	20		
	4	+12V1	YELLOW	20		

NOTE:

- ALL THE LENGTH OF OUTPUT WIRES EXCLUDE HOUSING.
- 產地標籤依業務指示加貼。

UNIT:mm

D:\RD8外銷\9PA300C101\9PA300C101.dwg, 2006/3/27 上午 10:30:13, Adobe PDF



P/N.:9PA300C101
SPI P/N.:FSP300-60GNV

MODEL NO. : FSP300-60GNV(S03001)	TITLE: ASSY	SHEET: 1 OF 1	REV:01
R&D	PE	CHECKED	DESIGN
INTERIOR COUNTERSIGN:		DRAWN	DATE
		MAR.21.2006	夏侯永健