

# 47603-1G6



**UPC Code:** 07847712371

**Country of Origin:** Mexico - *\*Eligible for ARRA funded projects > \$7,443,000*



## Voice, Data and Video Distribution

### Brand Features

Compact Pre-configured Structured Cabling Panels are the simple solution for basic telephone and TV distribution. These Panels feature a space saving profile and provide simple bridged telephone connections to nine locations and 1GHz video to eight locations. Compact Series Panels are ideal for multi-dwelling units and apartments or any place where space and budgets are of great concern.

### Item Description

Compact Series: Telephone and 6-Way Video Panel

### Technical Information

#### Dimensional Data

**Height:** 6.55 Inch

**Width:** 6.55 Inch

**Depth:** 3.01 Inch

#### Material Specifications

**Bracket Material:** ABS Plastic

#### Mechanical Specifications

**Telephone Bridge:** Ten Bridged 4-Pair 110-Type IDC Connectors

**Video Splitter:** 1 F-Type Female Input, 6 F-Type Female Output

**Video Splitter Frequency:** 1 GHz

#### Product Features

**Type:** Compact Series Pre-Configured Cabling Panel

**Description:** Telephone and 6-Way Video

**1X9 Bridged Telephone Module:** 1

**6-Way Video Splitter:** 1

**Standards and Certifications:** CULUS/FCC/TIA/EIA

**Warranty:** 2 Year Limited

**Bracket Material:** ABS Plastic

#### Standards and Certifications

**CULUS Listed:** Yes

**TIA/EIA:** 568A

**FCC Rated:** Part 68 Compliant

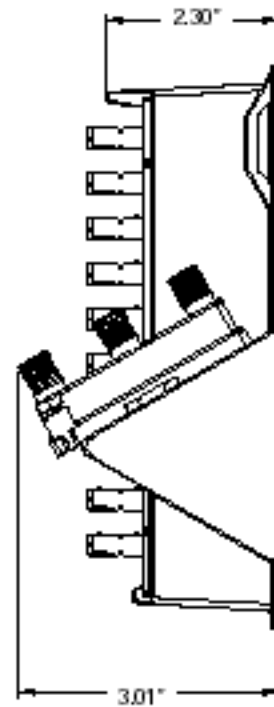
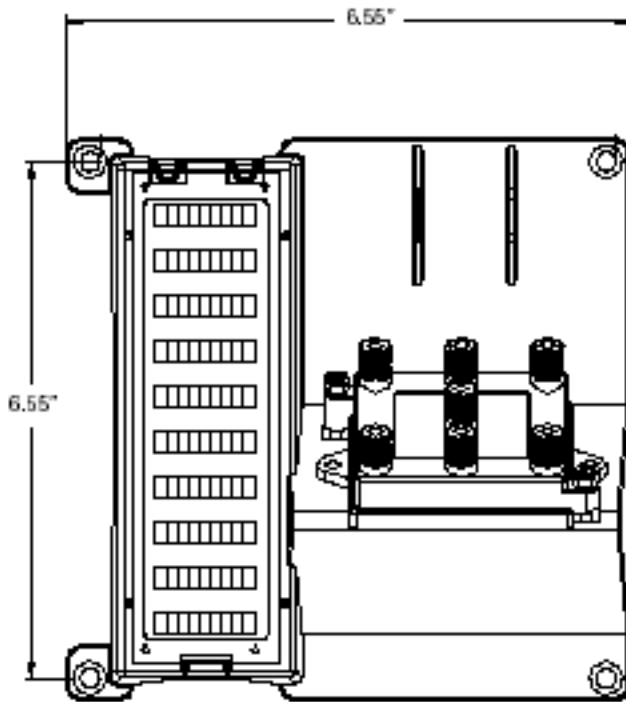
#### Structured Media Components

**1X9 Bridged Telephone Module:** 1

**6-Way Video Splitter:** 1

### Features and Benefits

- Handles up to 4 telephone lines through to 9 locations, and routes video to 6 locations.
- Panel includes a plastic mounting bracket, 1X9 Bridged telephone Board and a 6-Way 1 GHz Video Splitter.
- Fits in to any Leviton Structured Media enclosure or used as a stand-alone unit.
- Offers essential telephone and video distribution.



**SPECIFICATION SUBMITTAL**

JOB NAME:	CATALOG NUMBERS:	
JOB NUMBER:		

**Leviton Manufacturing Co., Inc.**  
 201 North Service Road, Melville, NY 11747  
 Telephone: 1-800-323-8920 · FAX: 1-800-832-9538 · Tech Line (8:30AM-7:30PM E.S.T. Monday-Friday): 1-800-824-3005

**Leviton Manufacturing of Canada, Ltd.**  
 165 Hymus Boulevard, Pointe Claire, Quebec H9R 1E9 · Telephone: 1-800-469-7890 ·  
 FAX: 1-800-824-3005 · [www.leviton.com/canada](http://www.leviton.com/canada)

**Leviton S. de R.L. de C.V.**  
 Lago Tana 43, Mexico DF, Mexico CP 11290 · Tel.: (+52)55-5082-1040 · FAX: (+52)5386-1797 · [www.leviton.com.mx](http://www.leviton.com.mx)

Visit our Website at: [www.leviton.com](http://www.leviton.com)  
 © 2012-2014 Leviton Manufacturing Co., Inc. All rights reserved. Subject to change without notice.



**Leviton has a global presence.**  
 If you would like to know where your local Leviton office is located please go to: [www.leviton.com/international/contacts/](http://www.leviton.com/international/contacts/)

*\*Buy American Compliant Logo -- The American Recovery And Reinvestment Act of 2009 ("ARRA") provides federal grants and loans for projects throughout the country. Section 1605 of the Act, named the "Buy American" provision, requires that certain materials and manufactured products used in projects funded by the Act be manufactured in the United States. The appearance of the Recovery Act Logo in relation to a Leviton product is only intended to reflect that such product may be used in an ARRA funded project. It does not mean that such product or Leviton is sponsored or endorsed by, or that Leviton receives funds from, the federal government or the Recovery Accountability and Transparency Board. Nothing in Leviton's use of the logo is intended to suggest anything regarding the requirements for funding under ARRA.*