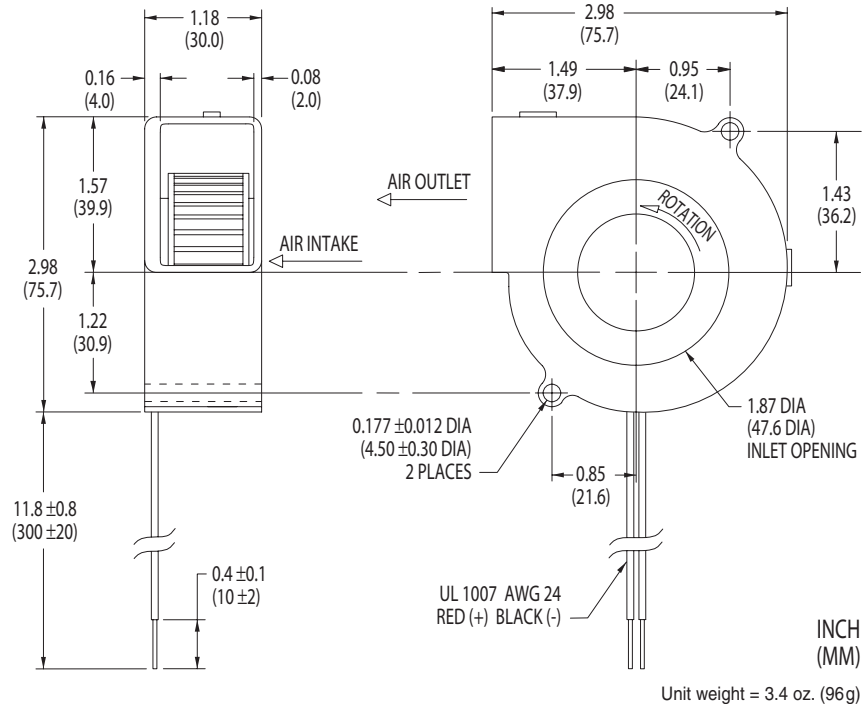


76×30mm



- ▶ 6 to 10 CFM Air Flow Ratings
- ▶ Permanently Lubricated Ball Bearings or Long-Life NBR Designs
- ▶ Polarity Protected
- ▶ Alarm/Tachometer/Thermal Speed Control Options Available
- ▶ Frame and Impeller Rated V-0
- ▶ Color-Coded 11.8 in. (300 mm) Leads

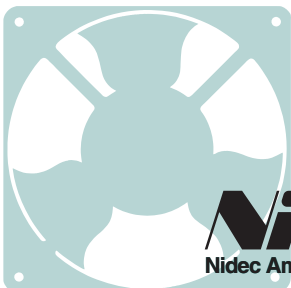


GAMMA 28 Series—Electrical and Mechanical Characteristics

Model	Air Flow (CFM)	Operating Voltage		Current (mA)	Power (W)	Sound Level		Fan Speed (rpm)	Bearing ^Δ	Operating Temp.	
		Nom. (V)	Range (V)			Pressure (dBA)	NPEL (Bels)			Min. (°C)	Max. (°C)
A34353	6.0	12	10.2-13.8	100	1.20	26.7	3.9	1,900	Ball	-10	+70
A34846	6.0	12	10.2-13.8	100	1.20	25.1	3.8	1,900	NBR	-10	+70
A34357	6.0	24	20.4-27.6	70	1.68	26.7	3.9	1,900	Ball	-10	+70
A34847	6.0	24	20.4-27.6	80	1.92	25.1	3.8	1,900	NBR	-10	+70
A34352	7.0	12	10.2-13.8	120	1.44	30.7	4.1	2,200	Ball	-10	+70
A34777	7.0	12	10.2-13.8	120	1.44	28.6	3.9	2,100	NBR	-10	+70
A34356	7.0	24	20.4-27.6	80	1.92	30.7	4.1	2,200	Ball	-10	+70
A34778	7.0	24	20.4-27.6	90	2.16	28.6	3.9	2,100	NBR	-10	+70
A34342	9.0	12	10.2-13.8	180	2.16	34.0	4.6	2,600	Ball	-10	+70
A34779	9.0	12	10.2-13.8	180	2.16	34.9	4.5	2,600	NBR	-10	+70
A34355	9.0	24	20.4-27.6	120	2.88	34.0	4.6	2,600	Ball	-10	+70
A34780	9.0	24	20.4-27.6	120	2.88	34.9	4.5	2,600	NBR	-10	+70
A34351	10	12	10.2-13.8	230	2.76	39.0	5.0	3,100	Ball	-10	+55
A34781	10	12	10.2-13.8	230	2.76	38.4	5.0	3,100	NBR	-10	+60
A34354	10	24	20.4-27.6	170	4.08	39.0	5.0	3,100	Ball	-10	+55
A34782	10	24	20.4-27.6	170	4.08	38.4	5.0	3,100	NBR	-10	+60

Note: Air flow, current, power, speed and sound level ratings are at nominal voltage against zero static pressure. NPEL = Noise Power Emission Level. Power termination and signal options are designated by two-digit suffixes added to the model names: For color-coded 300mm power leads with stripped ends, add "-16" to the model numbers.

^ΔNBR, Nidec Bearing Revolution: Long-life sleeve-bearing design.



Nidec
Nidec America Corporation

phone 781-848-0970 · email fans@nidecamerica.com · www.nidecamerica.com

76x30mm

GAMMA 28 Air Performance Characteristics

