

Fans & Blowers

DC blower fan 70 to 79mm

G76B [G76B12BS1AZ-5*]

Tweet いいね! 0 Mail Print



General-use DC axial flow fan (76 x 76 x 27 mm)

Direct-current drive operated general fan motor. The ball bearing type used in ball bearings introduces a ball between the rotor axis and the stator, providing smooth rotation, and thus has the characteristic of not generating extra heat in the rotor and stator. The service life of fan motors is dependent on deterioration caused by increased temperatures, and bearings using ball bearings are considered to provide long service life. Please contact us for details.

Water resistance	Oil resistance	Chemical resistance	Dust proofing	Explosion proofing
Low noise	Low vibration	Energy saving	Long life	Stability
Environmental performance	Quietness	RoHs support		

Product data

i How to read this table

Basic information

Power type	DC
Size	76 x 76 mm
L dimension	27 mm
Operation temperature	-10 ~ 70 °C
Lifespan	50000 hours Expected service life with 90% remaining in service when continually operated in the free air state with an ambient temperature of 40°C Reference value.
Weight	95 g
Bearing	Ball bearing
Manufacturer name	NIDEC CORPORATION

Input

Rated voltage	<input type="text" value="12 V"/> 10.8 ~ 13.2 V
---------------	---

Inquiry About Customization
Other Inquiry Quotation Inquiry

Fans & Blowers

Search by Product Category

- DC axial flow fans
- DC blower fan
 - > 50 to 59mm
 - > 60 to 69mm
 - > **70 to 79mm**
 - > 80 to 89mm
 - > 90 to 99 mm
 - > 100mm -
- AC axial flow fan
- AC silent fan
- Search by Specifications and Performance
- Search by Keyword

- ▶ Motors
- ▶ Special Motors
- ▶ Machinery
- ▶ Electronic & Optical Components
- ▶ Other Products

Products

- Products Lineup
- Product News
- Nidec, No. 1
- Discontinued Products

Operating current	0.4 A
Rated input	4.8 W

Output

Rated speed	4000 min ⁻¹
Maximum air flow (m ³ /min)	0.424 m ³ /min
Maximum air flow (CFM)	15 CFM
Maximum static pressure (Pa)	160 Pa
Maximum static pressure (inchH ₂ O)	0.64 inchH ₂ O
Sound pressure [db (A)]	49 dB[A]

[And Their Replacements](#)

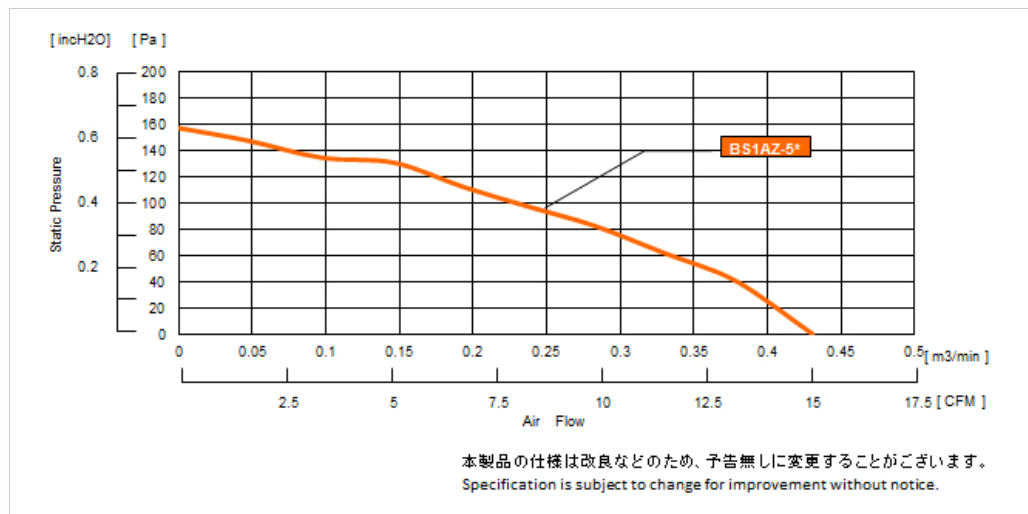
[Implemented Solutions](#)

[Standards And Certifications](#)

[Product Catalogs List](#)

[FAQs About Our Products](#)


Characteristic graph



Note: The data gives typical characteristics at the rated voltage.

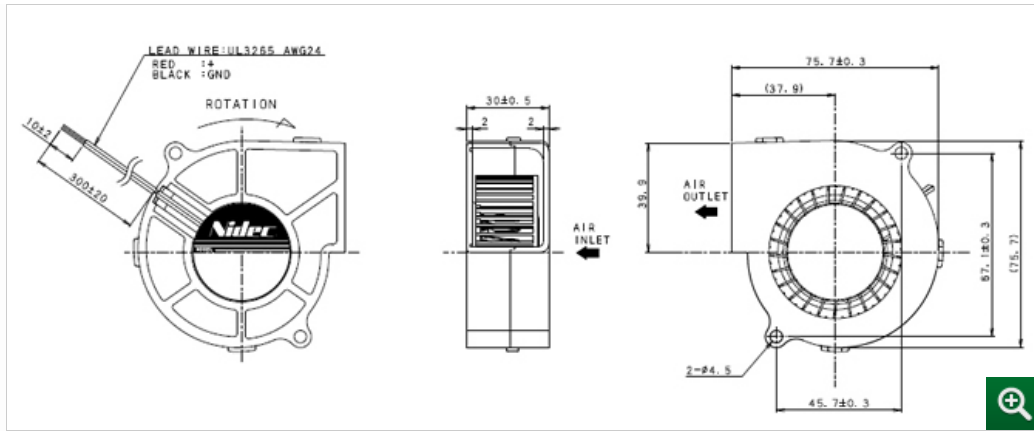
Sound level This is the value measured 1 meter from the intake surface.

The power supply PWM is not covered by the warranty.

Power supply voltage ripples are set to $\pm 5\%$ of the rated voltage.

For information about rated voltage other than the above, please inquire separately.

Drawing



Fan and blower search



Product category



Specifications and performance



Keyword

Please feel free to consult us.



Inquiry by e-mail

▼ Inquiry About Customization

▼ Quotation Inquiry

▼ Other Inquiry

FAQs about Fans

▶ To List



Does Nidec have standard fan motor products?



What is Nidec's pricing for fan motors?



Does Nidec sell small quantities of fan motors to individual consumers?

▲ Top of Page