

Nidec in Americas

Products

Technology

Business & Sales Sites

Google™ カスタム検索



Products

Fans & Blowers

Search by Product C...

DC blower fan

70 to 79mm

[D07F-

Fans & Blowers

DC blower fan 70 to 79mm

D07F-B1 [D07F-12B1S1]



General-use DC blower fan (75 x 73 x 20 mm)

A direct-current drive operated, fan motor that uses centrifugal method to blow air. This features a higher static pressure efficiency than general fan motors. The ball bearing type used in ball bearings introduces a ball between the rotor axis and the stator, providing smooth rotation, and thus has the characteristic of not generating extra heat in the rotor and stator. The service life of fan motors is dependent on deterioration caused by increased temperatures, and bearings using ball bearings are considered to provide long service life. Please contact us for details.

| | | | | |
|---------------------------|----------------|---------------------|---------------|--------------------|
| Water resistance | Oil resistance | Chemical resistance | Dust proofing | Explosion proofing |
| Low noise | Low vibration | Energy saving | Long life | Stability |
| Environmental performance | Quietness | RoHs support | | |

Product data

How to read this table

Basic information

| | |
|-----------------------|----------------------------------------------------------------------------------------------------------------------------------------------------------------------------|
| Power type | DC |
| Size | 75 × 73 mm |
| L dimension | 20 mm |
| Operation temperature | -10 ~ 70 °C |
| Lifespan | 30000 hours Expected service life with 90% remaining in service when continually operated in the free air state with an ambient temperature of 40°C Reference value. |
| Weight | 60 g |
| Bearing | Ball bearing |
| Manufacturer name | NIDEC CORPORATION |

Input

Inquiry About Customization

Other Inquiry

Quotation Inquiry

Fans & Blowers

Search by Product Category

DC axial flow fans



DC blower fan



[50 to 59mm](#)
[60 to 69mm](#)
[70 to 79mm](#)
[80 to 89mm](#)
[90 to 99 mm](#)
[100mm -](#)

AC axial flow fan



AC silent fan


 Search by Specifications and Performance

 Search by Keyword

Motors

Special Motors

Machinery

Electronic & Optical Components

Other Products

Products

Products Lineup



Product News



Nidec, No. 1



Discontinued Products

| | | |
|-------------------|--------|--------------|
| Rated voltage | 12 V | 4.5 ~ 13.8 V |
| Operating current | 0.29 A | |
| Rated input | 3.48 W | |

Output

| | |
|------------------------------------------------|---------------------------|
| Rated speed | 3600 min ⁻¹ |
| Maximum air flow (m ³ /min) | 0.25 m ³ /min |
| Maximum air flow (CFM) | 8.83 CFM |
| Maximum static pressure (Pa) | 220 Pa |
| Maximum static pressure (inchH ₂ O) | 0.88 inchH ₂ O |
| Sound pressure [db (A)] | 38 dB[A] |

[And Their Replacements](#)

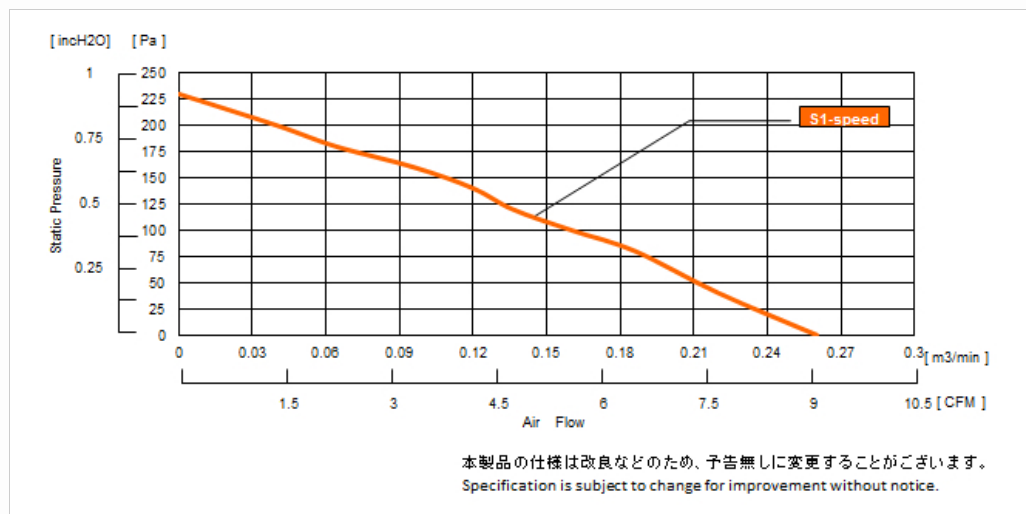
[Implemented Solutions](#)

[Standards And Certifications](#)

[Product Catalogs List](#)

[FAQs About Our Products](#)


Characteristic graph



Note: The data gives typical characteristics at the rated voltage.

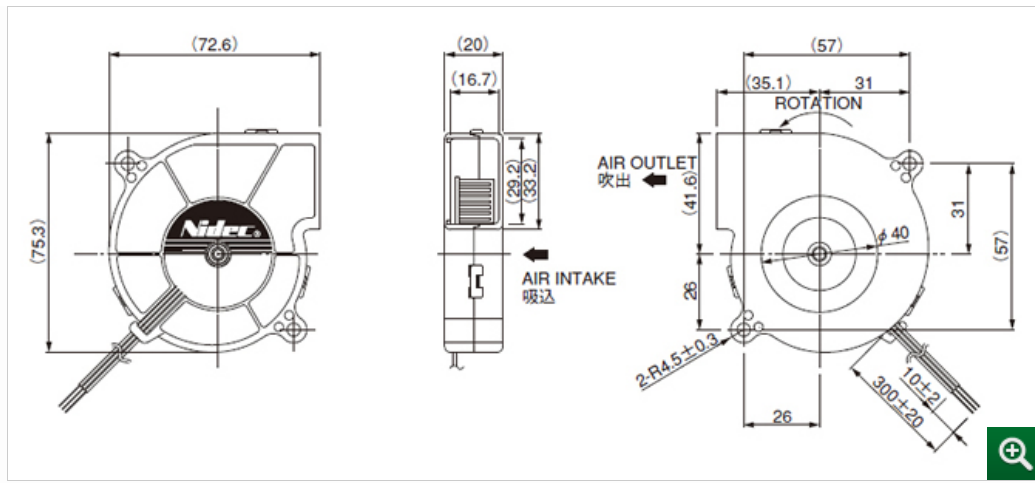
Sound level This is the value measured 1 meter from the intake surface.

The power supply PWM is not covered by the warranty.

Power supply voltage ripples are set to $\pm 5\%$ of the rated voltage.

For information about rated voltage other than the above, please inquire separately.

Drawing



Fan and blower search

Product category Specifications and performance Keyword

Please feel free to consult us.

Inquiry by e-mail

Inquiry About Customization Quotation Inquiry Other Inquiry

FAQs about Fans

[▶ To List](#)

- Q Does Nidec have standard fan motor products?
- Q What is Nidec's pricing for fan motors?
- Q Does Nidec sell small quantities of fan motors to individual consumers?

[▲ Top of Page](#)