

Universal Security Plates For Leviton Structured Media® Centers (SMCs)

APPLICATION

Leviton's Universal Security Plates allow for consolidation and integration of security products into any of Leviton's Series 140, 280, or 420 Structured Media® Center enclosures. The Half-Width and Full-Width Universal Security Plates accommodate the widest variety of security alarm panels. These Plates are sold with four adhesive-backed PC board mounting clips to mount a variety of sizes and shapes of security boards. The plate comes with four pushlock pins ensuring both vertical and horizontal stability.

AGENCY STANDARDS AND COMPLIANCE

cULus Listed; RoHS Compliant

FEATURES:

- Available in Half-Width and Full-Width sizes to accommodate the widest variety of security alarm panels
- Allow an unlimited number of upgrades (limited only by the enclosure's size) to be added to an existing security system terminated within any Leviton Structured Media Center
- Made of white powder-coated 18-gauge sheet metal
- Sold with four adhesive-backed PC board mounting clips to easily mount the widest range of security alarm manufacturers' panels
- Pushlock pins make attachment of plates in Structured Media Centers quick and easy



47612-HSB



47612-FSB

WARRANTY INFORMATION

Two-Year Limited Product Warranty

TYPICAL SPECIFICATION

The Universal Security Plates shall be able to mount the appropriate sized security panels. They shall be made of 18-gauge sheet metal and have four adhesive-backed PC board mounting clips for mounting security panels in Leviton Series 140, 280 or 420 Structured Media Center Enclosures. Manufacturer shall provide a Two-Year Limited Product Warranty.

Leviton Mfg. Co., Inc.
59-25 Little Neck Pkwy • Little Neck, NY 11362-2591
Phone: 1-800-323-8920 • Tech Line: 1-800-824-3005 • Fax: 1-800-832-9538

Visit our Website at: www.leviton.com

Product Specifications

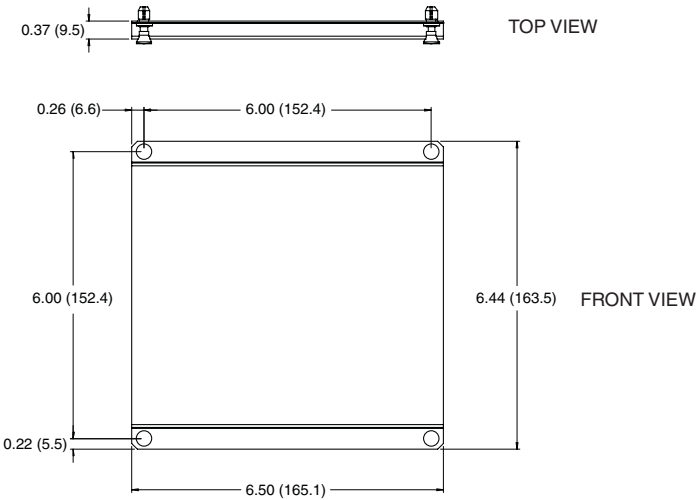
47612-HSB & 47612-FSB

ORDERING INFORMATION

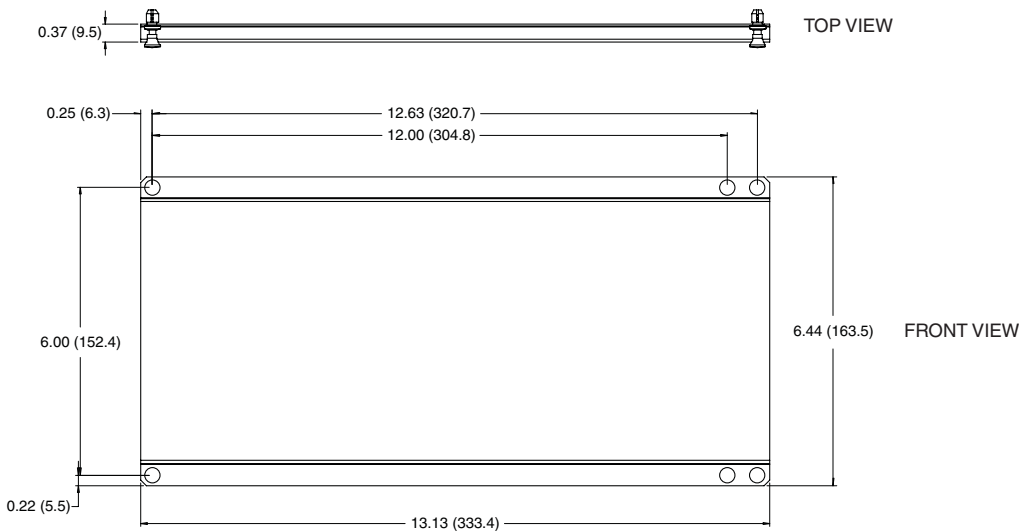
Cat. No.	Description
47612-HSB	Half-Width Universal Security Plate. Comes with four adhesive-backed PC board mounting clips and pushlock pins for mounting within Leviton's Series 140, 280 or 420 Structured Media Centers.
47612-FSB	Full-Width Universal Security Plate. Comes with four adhesive-backed PC board mounting clips and pushlock pins for mounting within Leviton's Series 140, 280 or 420 Structured Media Centers.

DIMENSIONAL LINE ART

47612-HSB



47612-FSB



Leviton Manufacturing Co., Inc.
 59-25 Little Neck Parkway, Little Neck NY 11362-2591
 Phone: 1-800-323-8920 • FAX: 1-800-832-9538 Tech Line: 1-800-824-3005

Leviton Manufacturing of Canada, Ltd.
 165 Hymus Boulevard, Pointe Claire, Quebec H9R 1E9 Customer Service: 1-800-469-7890 • FAX: 1-800-563-1853

Leviton S. de R.L. de C.V.
 Lago Tana 43 Mexico DF, Mexico CP 11290 Tel. (+52) 55-5082-1040 www.leviton.com.mx

Note: Features and specifications subject to change
 Patents Pending

